

## PRMEDC Measuring transducers DC for photovoltaic

### Description

PRMEDC are transducers for measuring voltage or current (DC) input. With the help of the auxiliary voltage convert levels of input voltage or current levels of output current type (4-20mA, 0-5mA, 0-20mA, 2-10V, 0-10V). The input, output and auxiliary supply are galvanically isolated from each other.

Is used in installations where you want to send to the control center.

### Operation

The voltage input is adapted and filtered before its conversion into a pulsed signal. which is passed through optoisolators, again filtered and adapted to the amplifier input. Finally, it is delivered to the amplifier that transforms at an output current (4-20 mA).

For current input it uses an external Hall Effect sensor. This transducer provides the supply voltage to the sensor, the signal is modulated by the input resistance of the amplifier to give a proportional output current values.

The auxiliary voltage is converted to internal tensions with proper electrical isolation.

### Construction Specifications

- Removable Enclosure
- Contacts on 11-pin socket
- Base to be installed on DIN rail.
- Small dimensions
- Accurate measurement
- Screw Terminals

### Technical Data

- Input voltage: max value models from 200 to 1000 Vdc
- Input Current: translators Hall (25,50,100,200 A)
- Auxiliary voltage (s/model):
  - 85..370Vdc, 85..265 Vac
  - 15, 24, 48 Vdc± 20%
- Consumption <2 W (DC), 2.5 VA (AC)
- Current Output:
  - 4-20mA, 0-20mA, 0-5mA, 2-10V, 0-10V to model.
  - I<sub>max</sub>: 25mA (for 4-20mA, 0-20mA), 6mA (0-5mA).
  - V<sub>max</sub>: 12,5 Vdc (for outputs 2-10V, 0-10V).
  - Open Circuit Voltage: 30Vdc.
  - Accuracy: depending on model.
  - Input impedance: 2k Ω. (for measure voltages DC)
- Standards compliant:
  - Isolation test voltage
  - High Frequency Interference
  - Fast transients.
  - Surge



# PROAT

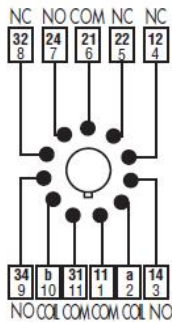
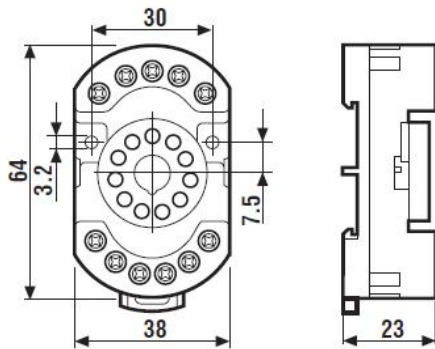
## Models

PRMEDC vvv i n p			
<b>Input Voltage, DC max</b> V60mV, 150mV, 300mV, 10, 25, 100, 200, ....., 1000 Vdc <b>Input Current ( sensor Hall)</b> I25, I50, I100 e I200 Amperios	<b>Output</b> A: 4 – 20mA B: 0 – 20mA C: 0 - 5mA D: 2-10V E: 0-10V	<b>Auxiliary Voltage</b> 1: 24Vdc 2: 48 Vdc 3: 120Vdc - 230Vac 4: 15 Vdc	<b>Accuracy</b> P1: 1% P2: 2%

Dimensions  
 Box for mounting in bar OMEGA DIN EN 50022 (rail)  
 Self-extinguishing plastic VO class

Side view dimensions: 77.0 (width), 39.0 (height), 42.0 (terminal height).

Front view dimensions: 78.0 (width), 77.0 (height), 80.0 (terminal width).




# PROAT

Pol. Ind. Can Tapioles  
 c/Narcís Monturiol, 4 nave 10  
 08110 MONTCADA-REIXAC (Barcelona) SPAIN  
 e-mail: [comercial@proat.es](mailto:comercial@proat.es)  
[www.proat.es](http://www.proat.es)