

Product Data sheet : Hall Effect Current Sensor - HK300...2K0T02

Date : 04.06.2010

Rev : 01

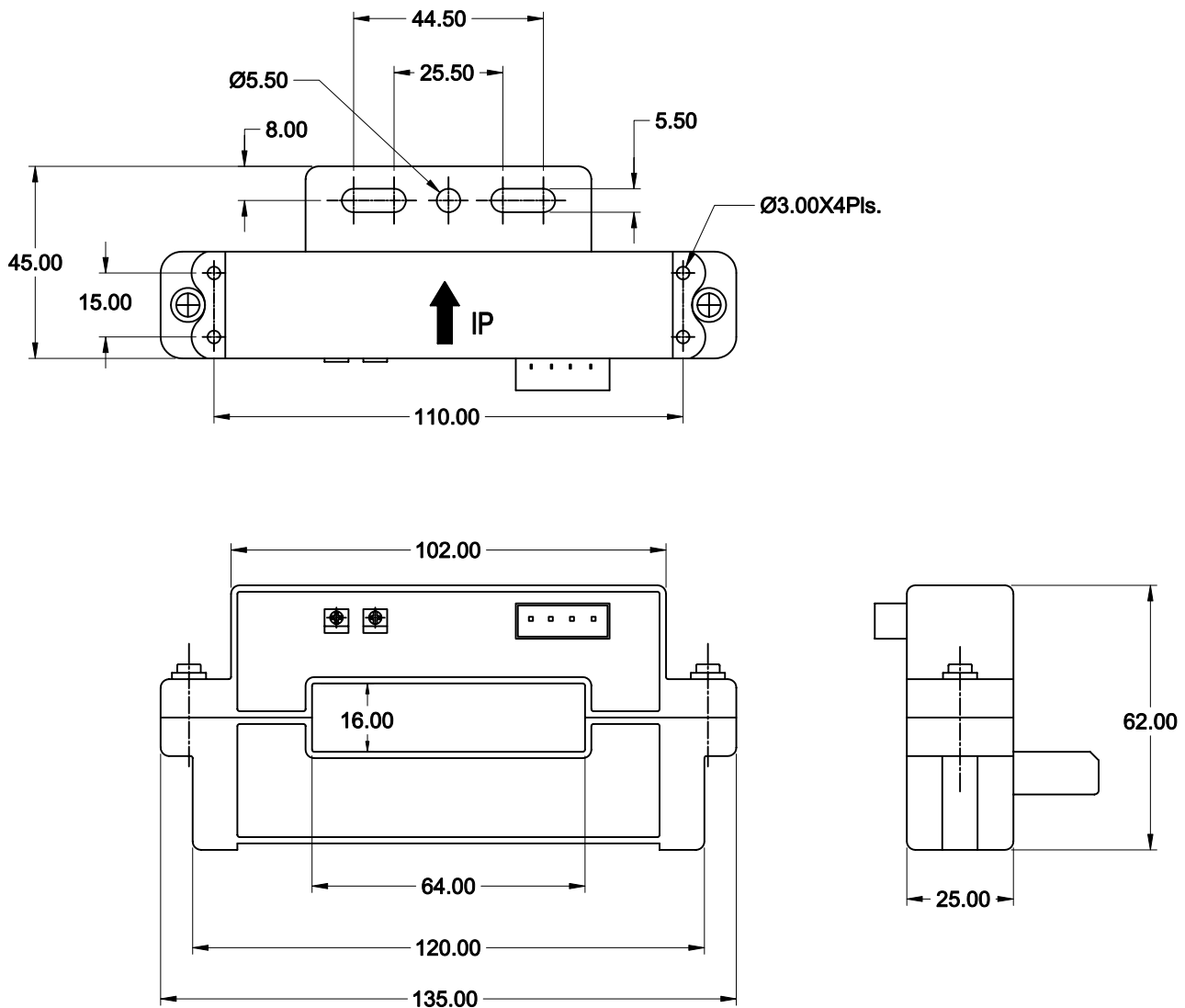
Page 1 of 3

Customer: Standard

Customer's part No.: ---

PbRoHS Compliant

● MECHANICAL DIMENSIONS



- Pin 1 : Supply Voltage(+Vcc)
- Pin 2 : Supply Voltage(-Vcc)
- Pin 3 : Output (Vout)
- Pin 4 : Ground (0V)

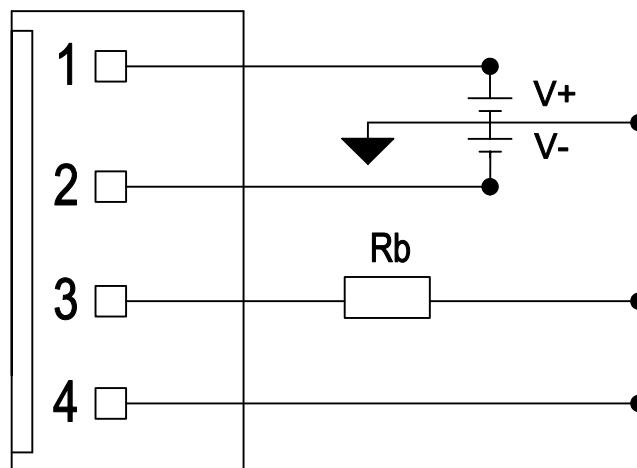
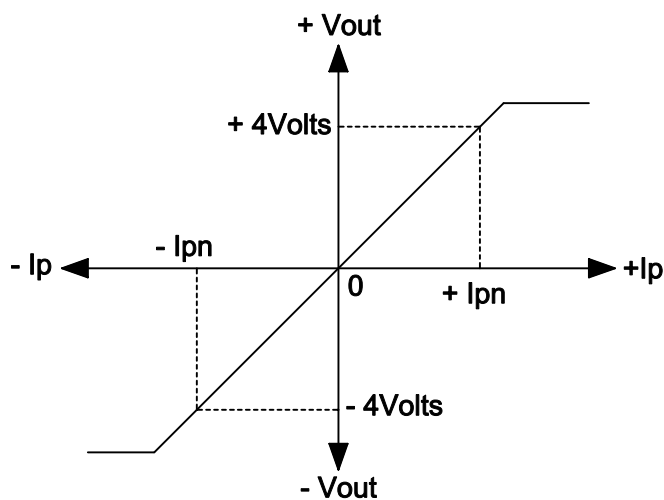
GENERAL TOL. ± 0.5 mm	
ALL DIMENSIONS ARE IN 'mm'	SCALE -NTS

● APPLICATION :

Used for measurement of electric current, AC, DC, Pulsed in electrical & electronic equipment.

● FEATURES :

- Open loop current sensor.
- Voltage output.
- Flange Mountable.
- Split core type

● CONNECTION DIAGRAM**● INPUT & OUTPUT CHARACTERISTICS**

+ Ip Indicates primary current flowing in the direction of the arrow

PRIMARY NOMINAL CURRENT I_{pn} (A)	PRIMARY MEASURING RANGE I_p (A)	PRODUCT CODE
300	± 600	HK300T02
600	± 1200	HK600T02
800	± 1600	HK800T02
1000	± 2000	HK1K0T02
1500	± 2500	HK1K5T02
2000	± 2500	HK2K0T02

● SPECIFICATIONS @ 25° C **

PARAMETERS	VALUES	UNITS
Burden Resistance (Rb)	10000 (min.)	Ω
Voltage output @ I_{pn} (Vout)	$\pm 4.0 \pm 1\%$	V
Supply Voltage (V+)	± 12 to 15	V
Current consumption @ +15V (Ic)	25.0	mA
Accuracy	± 1.0	%
Linearity	< 1.0	%
Output offset voltage @ $I_p = 0$ (Voff)	± 25.0	mV
Temperature coefficient of Vout	± 1.0	mV / °C
Response time 90% of I_{pn} step	7.0	μ S
Frequency bandwidth @ -1 dB (fbw)	DC to 20	kHz
Dielectric strength Primary to o/p terminals	6.0	kVrms
Operating Temperature Range	- 25 to + 85	°C
Storage Temperature	- 40 to + 100	°C
Weight	397	g

** Specifications subject to change.

Note :

Electrohms Pvt. Ltd.,

Unit 1: #67/6-1, Ullas Theatre Road,
Industrial suburb,
Yeswanthpur,
Bengaluru - 560 022, India.

www.electrohms.com
e-mail: sales@electrohms.com

Unit 2: #129 EPIP 2nd phase,
KIADB Industrial area,
Whitefield,
Bengaluru - 560 066, India.