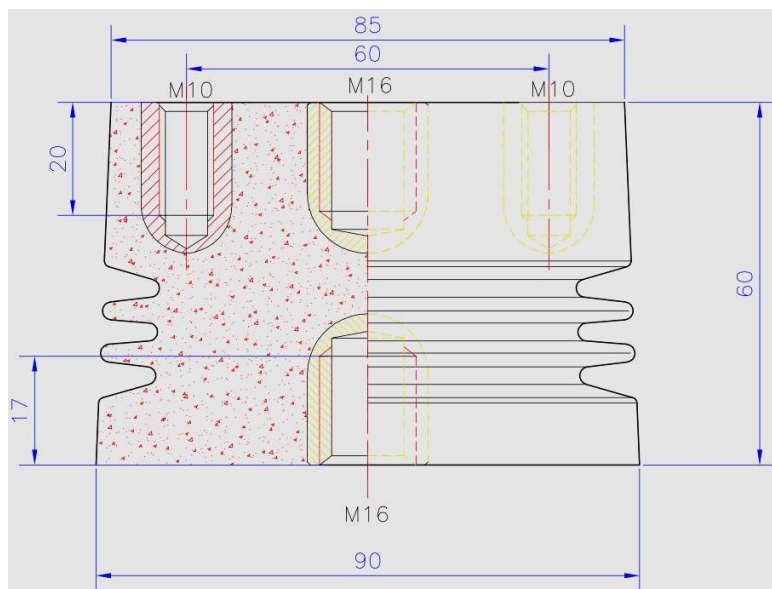


## SUPPORT INSULATOR: APR60 S8



### Descripción

Indoor Support insulators made of epoxy resin.

### Electrical Ratings

Nominal voltage:	6 kV
Creepage distance:	92 mm
Number of sheds:	2
lighting impulse:	40 kV

### Mechanical Ratings

Approximate weight:	0.600 Kg
Bending Strength:	8 kN