

Product Data sheet : Hall Effect Current Sensor - HE055T01

Date : 16.02.2010

Rev : 03

Page 1 of 2

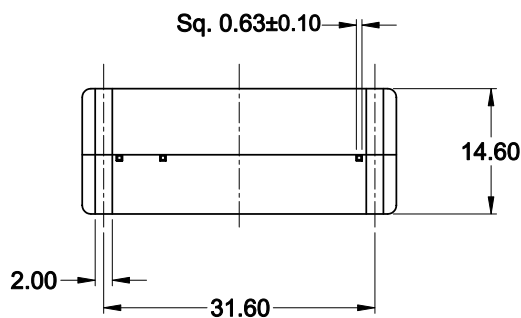
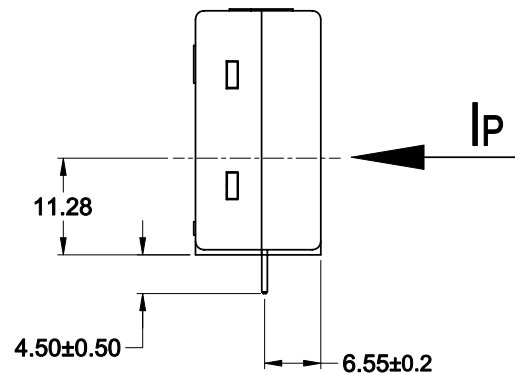
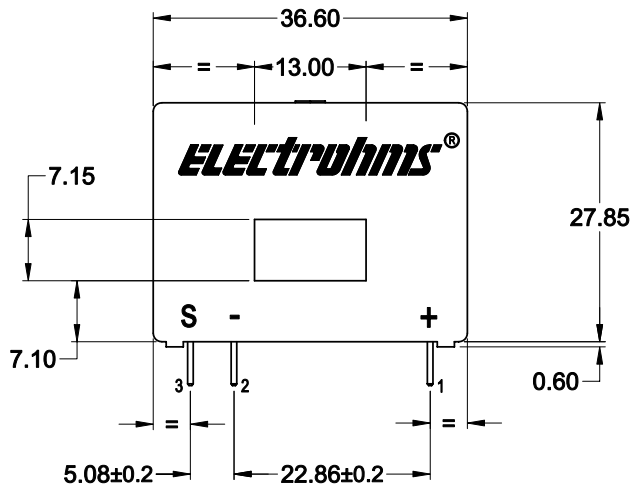
Customer: Standard

Customer's part No.: ---

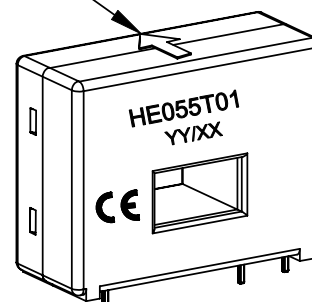
Pb RoHS Compliant



● MECHANICAL DIMENSIONS



Primary current direction



● APPLICATION :

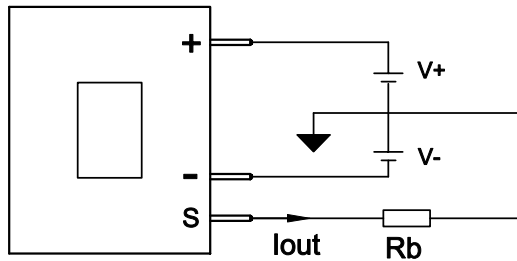
Used for measurement of electric current, AC, DC, Pulsed in electrical & electronic equipment.

● FEATURES :

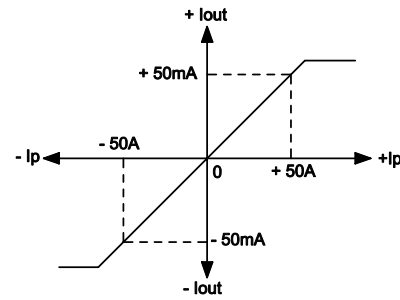
- Closed loop current sensor.
- Current output.
- PCB Mountable.
- All relevant materials are UL approved

GENERAL TOL. ±0.5 mm	
ALL DIMENSIONS ARE IN 'mm'	SCALE -NTS

● CONNECTION DIAGRAM



● INPUT & OUTPUT CHARACTERISTICS



+ Ip Indicates primary current flowing in the direction of the arrow

● SPECIFICATIONS @ 25° C **

PARAMETERS	VALUES	UNITS
Primary Current Nominal (Ipn)	50	Arms
Primary current, range (Ip)	0 to +/- 70	A
Burden Resistance (Rb) @ ± 12V, ±50A @ ± 15V, ±70A	100 (max.) 85 (max.)	Ω
Conversion Ratio (K)	1000 : 1	—
Current output @ Ipn (Iout)	50	mA
Supply Voltage (V+ / V-)	+/- 12 to 15	V
Current consumption @ ±15V (Ic)	11 + Is	mA
Accuracy	+/- 0.65	%
Linearity	< 0.20	%
Output offset current @ Ip = 0 (-40 to +85°C)	±0.10 Typical	mA
Temperature variation of Iout (-40 to +85°C)	±0.20	mA
Reaction time 10% Ipn step	< 0.5	µs
Response time 90% of Ipn step	< 1.0	µs
Frequency bandwidth @ -1 dB (fbw)	DC to 200	kHz
Secondary coil resistance	43.0 Typical	Ω
Dielectric strength Primary to o/p terminals	2.5	kVrms
Operating Temperature Range	- 40 to + 85	°C
Storage Temperature	- 40 to + 85	°C
Weight	22	g
Standards :	EN 55011 / CISPR 11 EN 61000-4-2 / IEC 61000-4-2 EN 61000-4-3 / IEC 61000-4-3 EN 61000-4-8 / IEC 61000-4-8	

** Specifications subject to change.

Note : ---