

Product Data sheet : Hall Effect Current Sensor - HL050...600T01

Date : 11.05.2010

Rev : 01

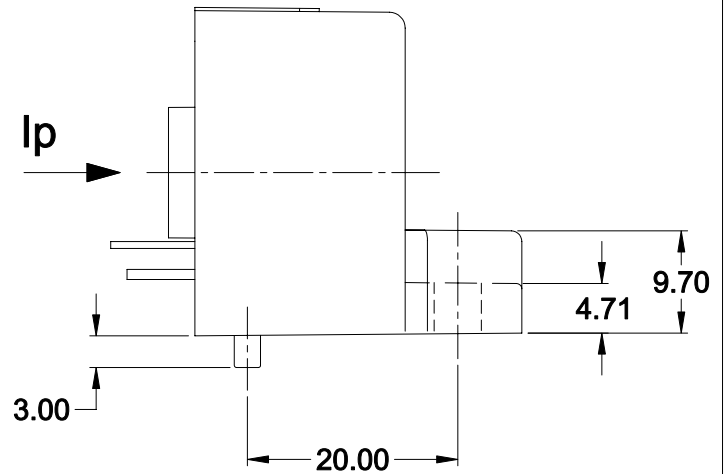
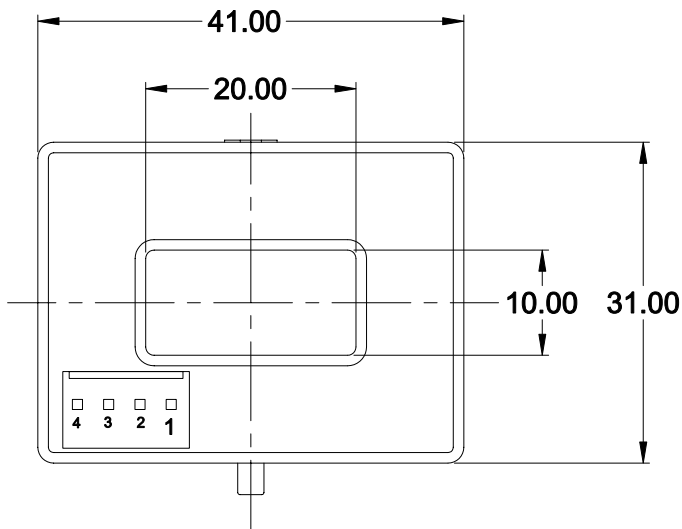
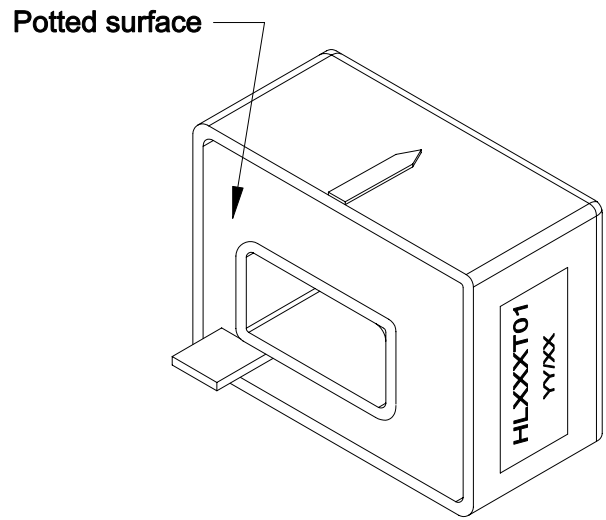
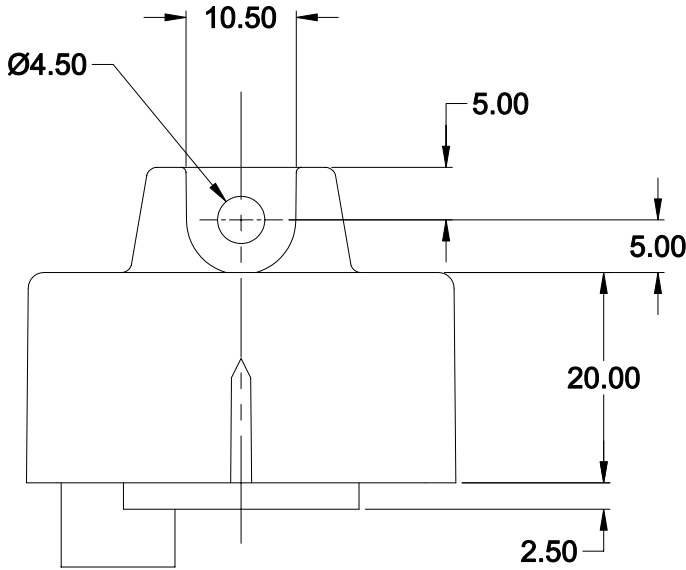
Page 1 of 3

Customer: Standard

Customer's part No.: ---

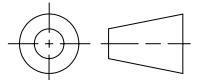
Pb RoHS Compliant

● MECHANICAL DIMENSIONS



- Pin 1 : Vref (IN/OUT)
- Pin 2 : Output
- Pin 3 : Ground (0 V)
- Pin 4 : Supply Voltage (+ VCC)

GENERAL TOL.
 ± 0.5 mm



ALL DIMENSIONS
ARE IN 'mm'

SCALE -NTS

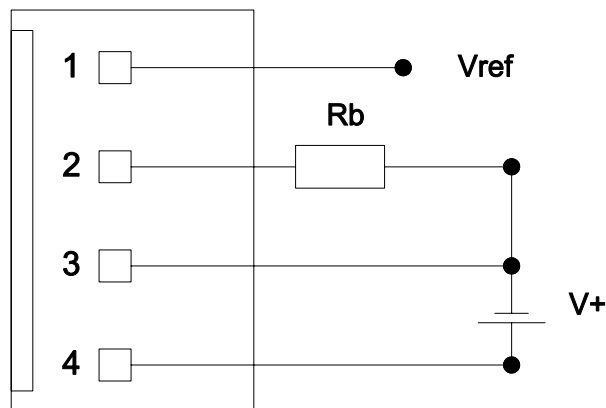
● APPLICATION :

Used for measurement of electric current, AC, DC, Pulsed in electrical & electronic equipment.

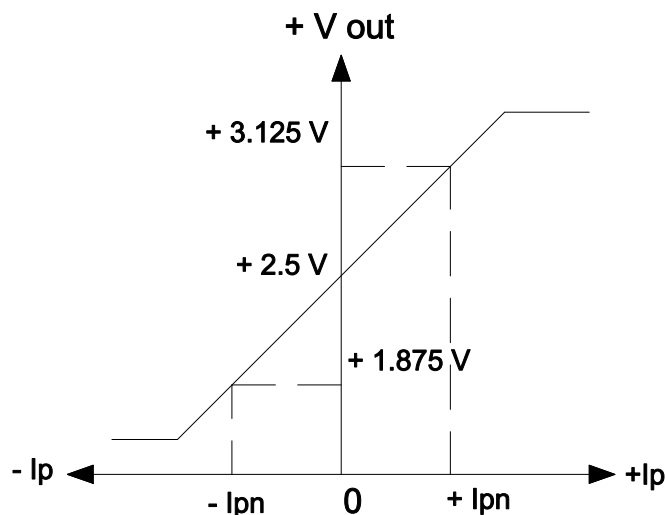
● FEATURES :

- Open loop current sensor.
- Voltage output.
- Flange Mountable.
- Single supply operation

● CONNECTION DIAGRAM



● INPUT & OUTPUT CHARACTERISTICS



+ Ip Indicates primary current flowing in the direction of the arrow

PRIMARY NOMINAL CURRENT I_{pn} (A)	PRIMARY MEASURING RANGE I_p (A)	PRODUCT CODE
50	± 150	HL050T01
100	± 300	HL100T01
200	± 600	HL200T01
300	± 900	HL300T01
400	± 900	HL400T01
500	± 900	HL500T01
600	± 900	HL600T01

● SPECIFICATIONS @ 25° C **

PARAMETERS	VALUES	UNITS
Burden Resistance (Rb)	2000 (min.)	Ω
Reference Voltage (Vref.)	2.50 ± 0.025	V
Voltage output @ $I_{pn} = 0$ (Voffset)	Vref. ± 0.025	V
Voltage output @ I_{pn}	2.5 V +/- 0.625	V
Supply Voltage (V+)	+5.0	V
Current consumption @ +5V (I_c)	15	mA
Accuracy	+/- 1.0	%
Linearity	< 0.5	%
Temperature coefficient of Voffset (Typical)	0.3	mV / K
Temperature coefficient of Vout (% of reading)	0.05	% / K
Reaction time 10% I_{pn} step	2.5	μs
Response time 90% of I_{pn} step	4.5	μs
Frequency bandwidth @ -1 dB (fbw)	20	KHz
Dielectric strength Primary to o/p terminals	3.5	kVrms
Operating Temperature Range	- 40 to + 85	°C
Storage Temperature	- 40 to + 85	°C
Weight	70	g

** Specifications subject to change.

Note :

Electrohms Pvt. Ltd.,
Unit 1: #67/6-1, Ullas Theatre Road,
Industrial suburb,
Yeswanthpur,
Bengaluru - 560 022, India.

www.electrohms.com
e-mail: sales@electrohms.com

Unit 2: #129 EPIP 2nd phase,
KIADB Industrial area,
Whitefield,
Bengaluru - 560 066, India.